

TR3051

32W Sniper Premium Track Light

Description

Track Light for indoor use;

3 Phase adaptor;

New bracket design one screw install from front side no visible screws;

Twist & lock design;

Finish

Black/White

Material

Aluminium



15D

24D

36D

60D

TECHNICAL CHARACTERISTICS

Light source

Light source: Citizen CLU03Q-1205

Output (W): 800mA 36V 28.8W

Total power consumption (W): 32W

Color temperature: 2700/3000K/4000K

CRI: 90

Photobiological risk: RG1

Real Lumen: 2700

Qty Leds: 1

Lm/Real W: 82

Life Time: 50.000h L90B10

MacAdam steps: 3

UGR: 19

GEAR

This product is supplied with built-in

gear adaptor- Tridonic Brand

Driver LC 34W 650-800mA flexC T SNC3 (On Off)

Luminaire

IP21 for indoor using

crossing: No

Warranty: 5 Years

LIGHT DISTRIBUTION for 3000K spot 15°

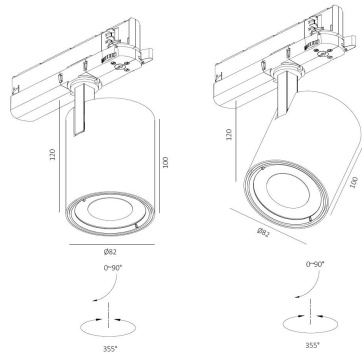
| h(m) | E(lx) | Ø(m) |
|------|-------|-------|
| 1 | 18714 | Ø0.32 |
| 2 | 4679 | Ø0.64 |
| 3 | 2079 | Ø0.97 |
| 4 | 1170 | Ø1.29 |
| 5 | 748.6 | Ø1.61 |

LIGHT DISTRIBUTION for 3000K medium 24°

| h(m) | E(lx) | Ø(m) |
|------|-------|-------|
| 1 | 9968 | Ø0.50 |
| 2 | 2492 | Ø0.99 |
| 3 | 1108 | Ø1.49 |
| 4 | 623.0 | Ø1.98 |
| 5 | 398.7 | Ø2.48 |

LIGHT DISTRIBUTION for 3000K wide 38°

| h(m) | E(lx) | Ø(m) |
|------|-------|-------|
| 1 | 7109 | Ø0.64 |
| 2 | 1777 | Ø1.28 |
| 3 | 789.9 | Ø1.92 |
| 4 | 444.3 | Ø2.56 |
| 5 | 284.4 | Ø3.12 |



The photograph may not match the reference exactly. Please read the product description to identify the finish.